



# INSTALLATION INSTRUCTIONS

Accessory  
**BODY SIDE MOLDINGS**  
P/N 08P05-TZ3-200

Application  
**2016 TLX**

Publications No.  
**VERSION 1**  
Issue Date  
**SEP 2015**

## PARTS LIST

Left front body side molding



Right front body side molding



Left rear body side molding



Right rear body side molding



Template



4 Alcohol swabs



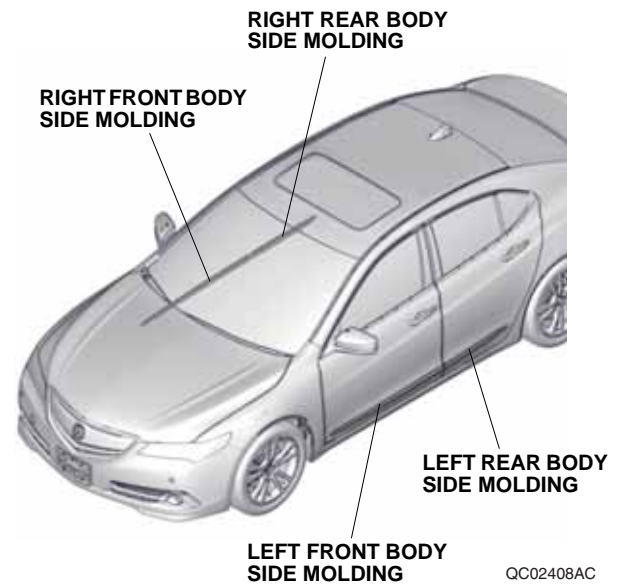
## TOOLS AND SUPPLIES REQUIRED

Masking tape

*The following tool is available through the Honda Tool and Equipment Program. On the iN, click on: Service > Service Bay > Tool and Equipment Program, then enter the number under "Search". Or, call 888-424-6857.*

- Rubber Roller (T/N MHLE54D)

### **Illustration of the Body Side Moldings on the Vehicle**



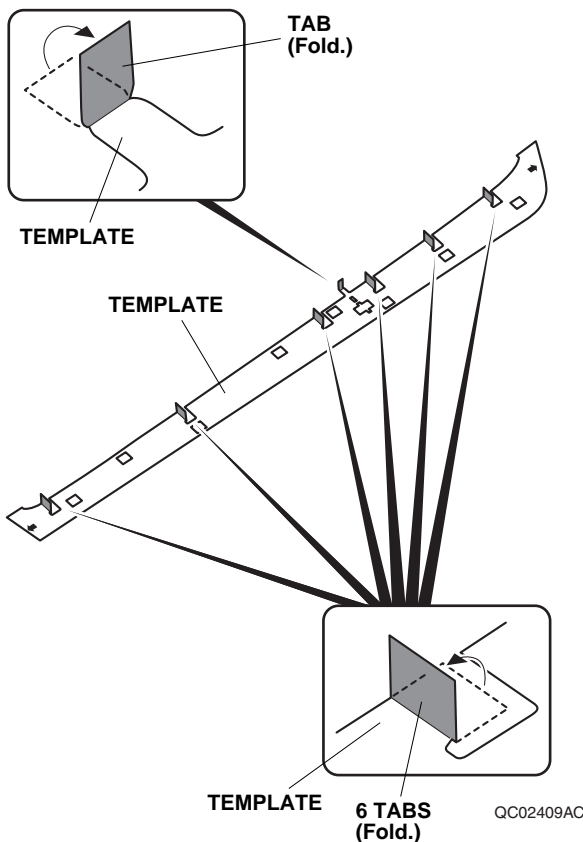
## INSTALLATION

**Client Information:** The information in this installation instruction is intended for use only by skilled technicians who have the proper tools, equipment, and training to correctly and safely add equipment to your vehicle. These procedures should not be attempted by “do-it-yourselfers.”

### NOTE:

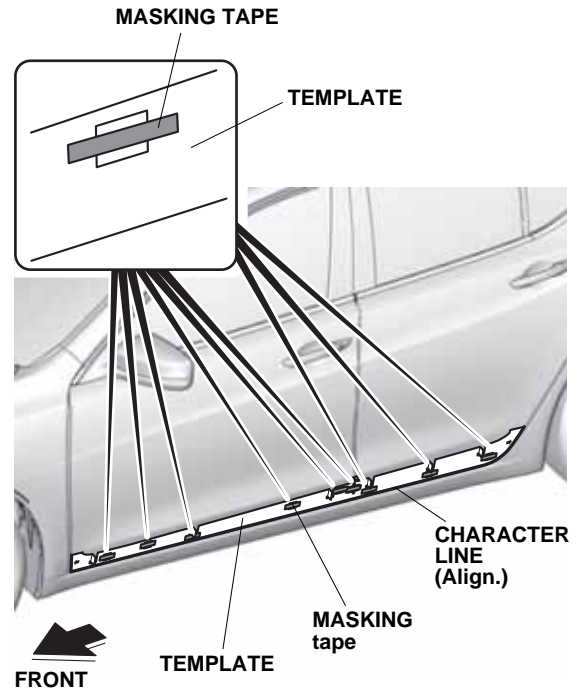
- If you are also installing door edge films (sold separately), install them before you install the body side moldings.
- Do not damage the paint finish.
- This kit should be installed only if the ambient air temperature is 15°C (60°F) or above.
- To allow the adhesive to cure, do not wash the vehicle for 24 hours. Please advise the client.

1. Fold the tab located in the center of the template.

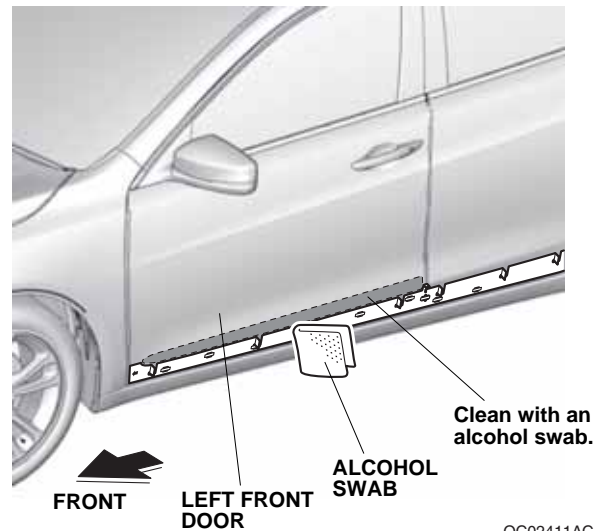


2. Fold the six tabs as shown.

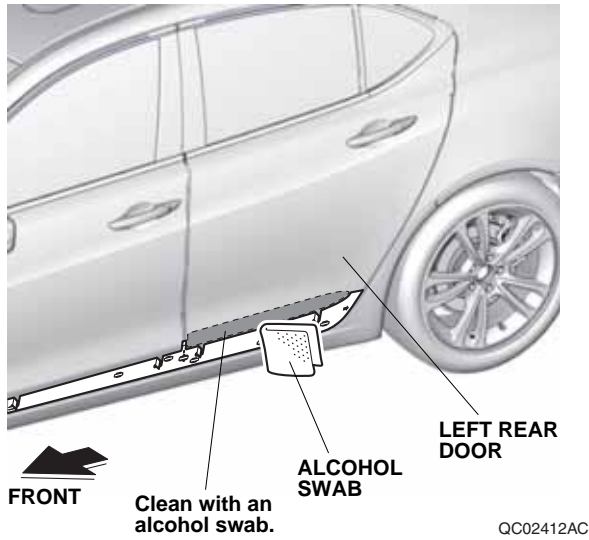
3. Align the template with the character line, and attach the template to the left doors with masking tape as shown.



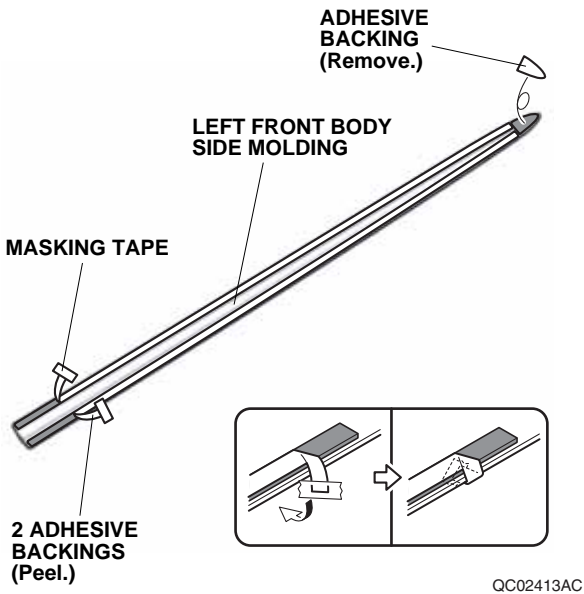
4. Using one alcohol swab, thoroughly clean the left front door where the left front body side molding will attach.



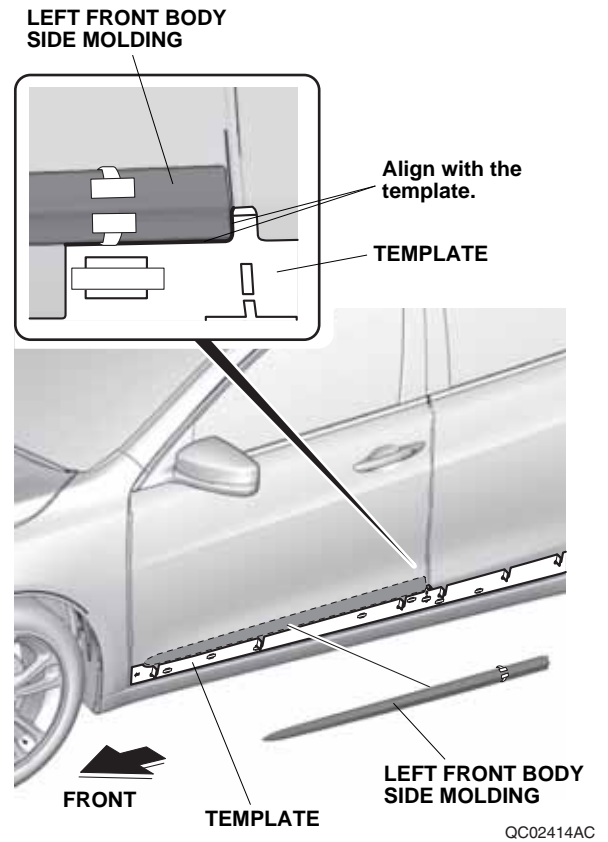
- Using one alcohol swab, thoroughly clean the left rear door where the left rear body side molding will attach.



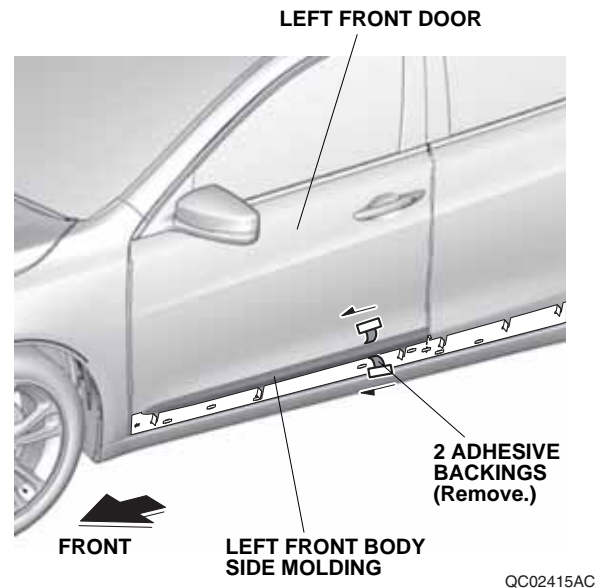
- Peel back the adhesive backings, and tape them to the front surface of the left front body side molding with masking tape. Remove the small piece of adhesive backing.



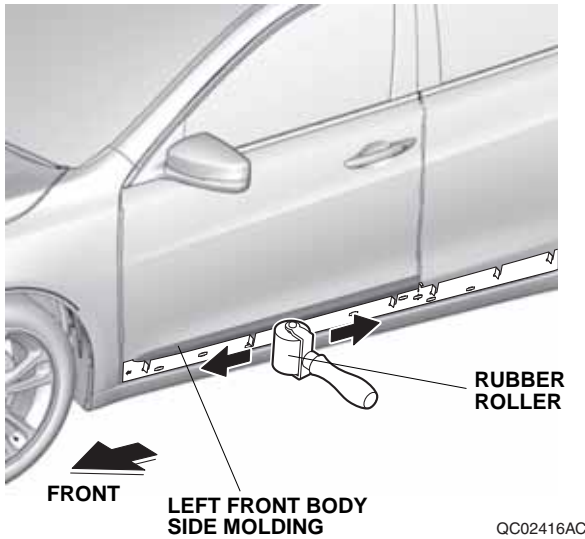
- Align the left front body side molding with the template and attach it to the left front door as shown.



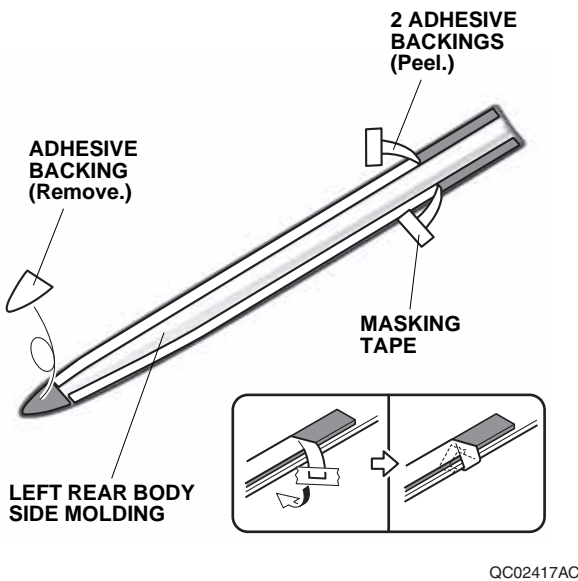
- While applying light pressure against the left front body side molding, carefully remove the taped adhesive backings.



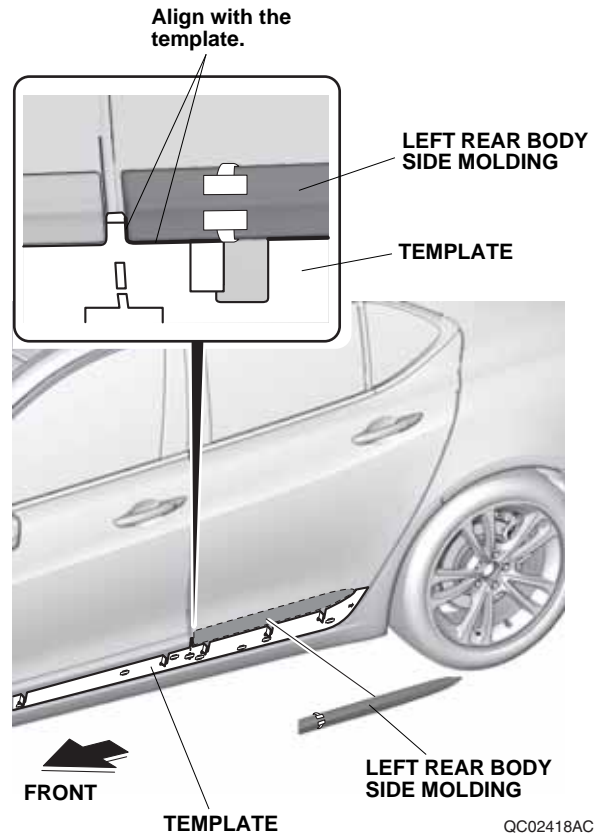
- Using a rubber roller, apply firm pressure against the left front body side molding and roll from one end to the other. Apply firm pressure, especially at the ends.



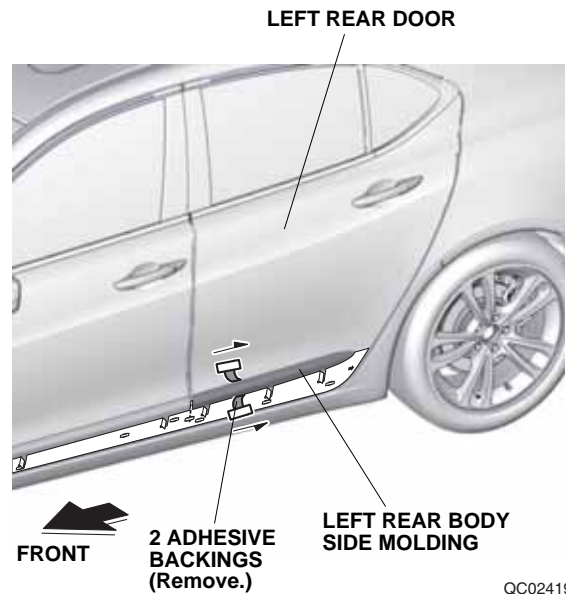
- Peel back the adhesive backings, and tape them to the front surface of the left rear body side molding with the masking tape. Remove the small piece of adhesive backing.



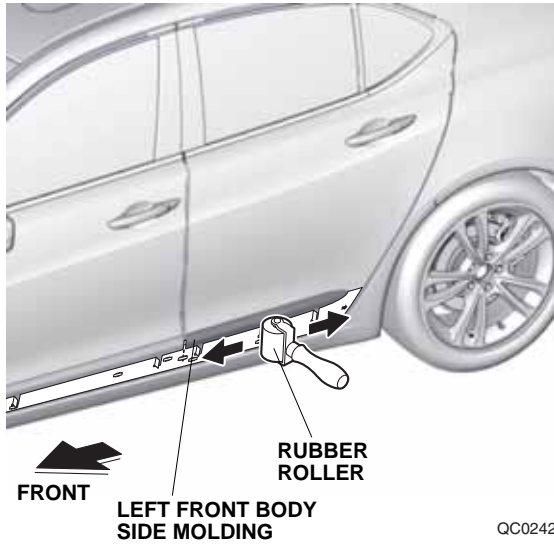
- Align the left rear body side molding with the template and attach it to the left rear door as shown.



- While applying light pressure against the molding, carefully remove the taped adhesive backings.



- Using a rubber roller, apply firm pressure against the left rear body side molding and roll from one end to the other. Apply firm pressure, especially at the ends.



QC02420AC

- Turn the template over and repeat steps 3 through 13 to install the body side moldings on the right side of the vehicle.